

# RFID evaluation unit IC-KP2-2HB40-2V1D



- LED status indicator of bus communication and read/write heads
- Network loop through by means of integrated 2 port switch
- Max. 2 read/write heads can be connected
- Alternatively 1 read/write head and 1 trigger sensor can be connected

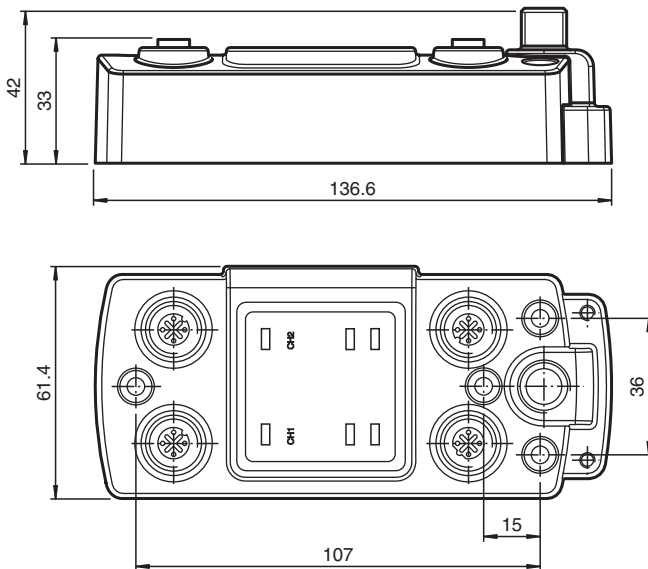
IDENTControl Compact RFID evaluation unit with Ethernet interface for PROFINET and EtherNet/IP protocols



## Function

The RFID identification system IDENTControl Compact from Pepperl+Fuchs offers a vast number of benefits compared to other systems, thanks to its innovative design. The control interfaces IDENTControl and IDENTControl Compact make up the core of the system. With its integrated interfaces to all commercially available fieldbus systems such as PROFIBUS, PROFINET, Ethernet, EtherCAT, CC-Link, serial connections (RS 232 or RS 485) and numerous connection options for read/write heads available for frequency ranges LF, HF and UHF, the IDENTControl Compact control interface can be easily and flexibly adapted to your requirements. LEDs on the front of the housing indicate bus communication, connected read/write heads and active read/write commands. Reliability of the application is further increased by using trigger sensors. The system is equally suited for use in control cabinets and field use in IP67. The interface to the higher-level fieldbus is integrated in the housing, and all connections are designed such that they are pluggable. This enables simple installation and quick, problem-free replacement in case of device failure. The consistent EMC design, with metal housing, grounding and shielded wires, offers a high degree of reliability.

## Dimensions



## Technical Data

### General specifications

Number of read/write heads	max. 2 alternatively 1 read/write head and 1 trigger sensor
MTBF	79 a (Operation at +40 °C)

### Indicators/operating means

Release date: 2026-04-08 Date of issue: 2026-04-08 Filename: 70167906\_eng.pdf

Refer to "General Notes Relating to Pepperl+Fuchs Product Information".

Pepperl+Fuchs Group  
www.pepperl-fuchs.com

USA: +1 330 486 0001  
fa-info@us.pepperl-fuchs.com

Germany: +49 621 776 1111  
fa-info@de.pepperl-fuchs.com

Singapore: +65 6779 9091  
fa-info@sg.pepperl-fuchs.com

**PF** PEPPERL+FUCHS

## Technical Data

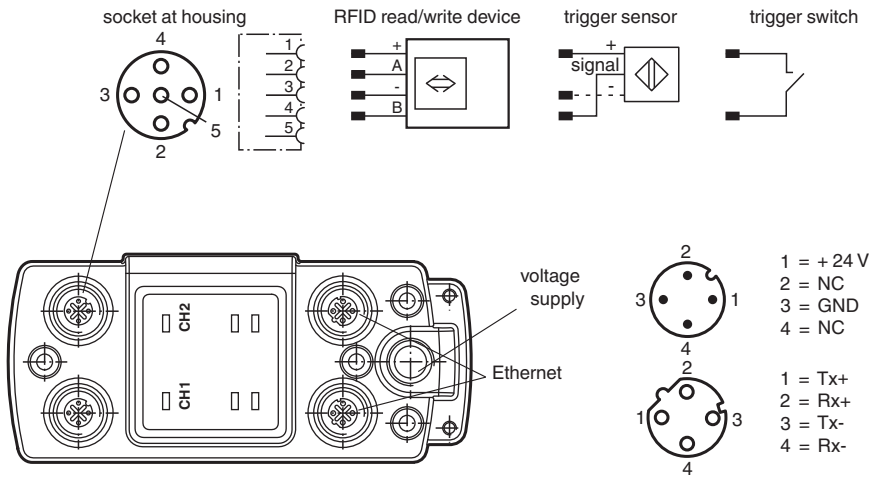
LEDs 1, 2		Status indicator for read/write heads green: command at read/write head active yellow: approx. 1 second long, if command was successfully executed
LEDs CH1, CH2		green: read head detected red: Configuration error
LED Link/Act		green: network connection yellow: flashes in rhythm with the transmitted data
LED RUN, MS, SF		green/red: depending on the protocol Run, Module Status, System Failure
LED ERR, NS, BF		green/red: depending on the protocol Error, Network Status, Bus Failure
Rotary switch		Mode
<b>Electrical specifications</b>		
Rated operating voltage	$U_e$	20 ... 30 V DC , PELV
Ripple		≤ 10 % at 30 V DC
Current consumption		≤ 4 A incl. read/write heads
Power consumption	$P_0$	3.5 W Without read/write heads
Galvanic isolation		basic insulation acc. to DIN EN 50178, rated insulation voltage of 50 V <sub>eff</sub>
<b>Interface 1</b>		
Physical		Ethernet
Protocol		HTTP (REST API) HTTPS (REST API) EtherNet/IP PROFINET IO ICMP LLDP NTP SNMP
Transfer rate		10 MBit/s or 100 MBit/s
<b>Interface 2</b>		
Physical		Ethernet
Protocol		HTTP (REST API) HTTPS (REST API) EtherNet/IP PROFINET IO ICMP LLDP NTP SNMP
Transfer rate		10 MBit/s or 100 MBit/s
<b>Directive conformity</b>		
Electromagnetic compatibility		
Directive 2014/30/EU		EN 61000-6-2 EN 61000-6-4
RoHS		
Directive 2011/65/EU (RoHS)		IEC/EN 63000
<b>Standard conformity</b>		
Degree of protection		IEC 60529
<b>Ambient conditions</b>		
Ambient temperature		-25 ... 70 °C (-13 ... 158 °F)
Storage temperature		-40 ... 85 °C (-40 ... 185 °F)
Climatic conditions		air humidity max. 96 % Salt spray resistant to EN 60068-2-52
Shock and impact resistance		Oscillation (Sine): 5 g, 10 - 1000 Hz to EN 60068-2-6 Shock (Half-sine): 30 g, 11 ms in accordance with EN 60068-2-27
<b>Mechanical specifications</b>		
Degree of protection		IP67
Connection		Read/write heads: shielded, 4-pin, M12 connector Power supply: M12 connector Protective earth: M4 earthing screw Ethernet: M12 plug connection
Material		
Housing		powder coated aluminum

Release date: 2026-04-08 Date of issue: 2026-04-08 Filename: 70167906\_eng.pdf

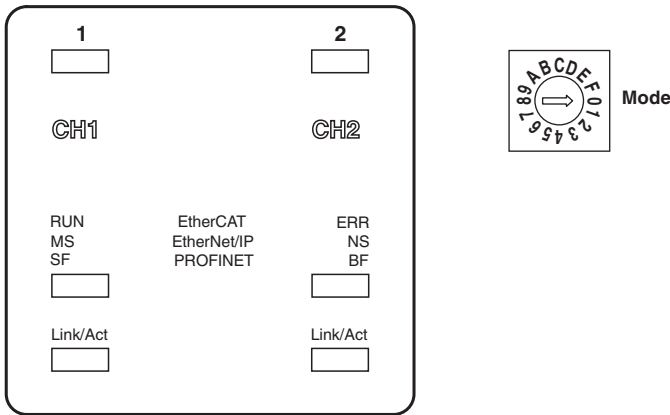
**Technical Data**

Installation	screw fixing
Mass	approx. 300 g
Dimensions	
Height	42 mm
Width	62 mm
Length	137 mm

**Connection Assignment**



**Operation**



Release date: 2026-04-08 Date of issue: 2026-04-08 Filename: 70167906\_eng.pdf