

# LAUNDRY FAMILY TAG



Global Tag **RFID UHF LAUNDRY FAMILY** is a series of RFID tags for the world of industrial laundry, with different shapes and sizes, able to identify the various types of garments to be washed (from flat linen to clothing), in order to meet the various operational needs. These RFID UHF Laundry tags are able to withstand the chemical agents used during washing cycles, including sterilization, high-pressure water extractors, high temperature and repeated washing and drying cycles. Size and shapes can also be customized according to projects request.

## PHYSICAL CHARACTERISTICS

**Mounting System:** Sewing or heat sealable \*depends on model

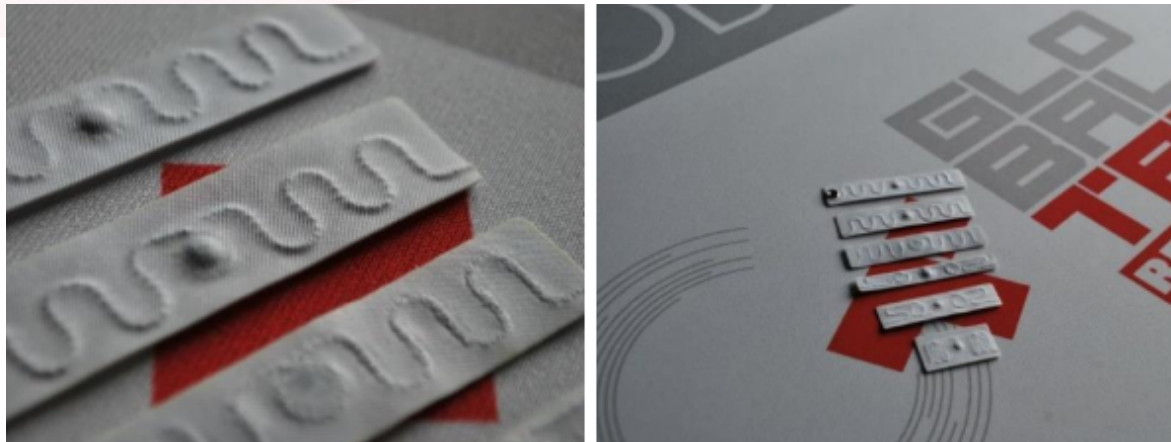
**Weight:** Depends on size

**Material:** Textile or PPS (for 18mm button)

**Color:** Generally white

**Delivery format:** Singulated

## TEXTILE RFID UHF (SEWING)



Global Tag **LAUNDRY TAG RFID UHF** is a series of RFID special labels which can be sewn to the bed linen, uniforms and other textile garments for their tracking and identification.

### MAIN FEATURES:

**Available Sizes:** 30x15mm; 70x15mm; 70x10mm; 80x22mm; Thickness: 1,2mm

**Chip:** NXP UCODE8, U-Code9, M730 (others, on demand)

**Material:** Textile

**Washing Temp:** Washing:90°C(194oF), 15 minutes, 200 cycles

**Ironer:** 180°C(356oF), 10 seconds, 200 cycles

**Sterilization Process (AUTOCLAVE):** 135°C(275oF), 20 minutes

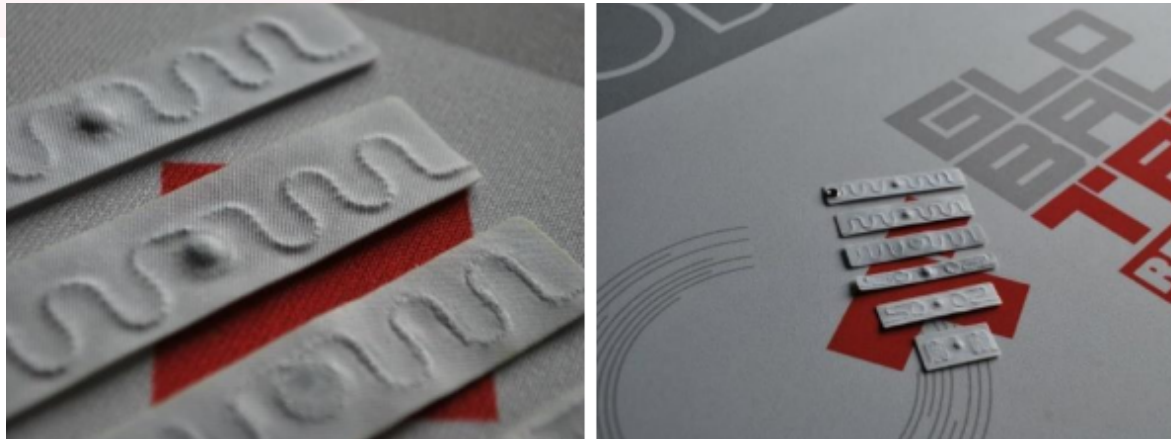
**Mechanical Resistance:** Up to 60 bars

**Installation Method:** to be sewn

**Product Code:** GT-TXTLY-HS-xx

**For more information visit our product page on website**

## TEXTILE-HS RFID UHF (HEAT SEALING)



Global Tag **HEAT SEALABLE LAUNDRY TAG** is a series of RFID special labels which can be heat-sealed to the bed linen, uniforms and other textile garments for their tracking and identification.

### MAIN FEATURES:

**Available Sizes:** 30x15mm; 70x15mm; 70x10mm; 80x22mm; Thickness: 1,2mm

**Chip:** NXP UCODE8, U-Code9, M730 (others, on demand)

**Material:** Textile

**Washing Temp:** Washing:90°C(194oF), 15 minutes, 200 cycles

**Ironer:** 180°C(356oF), 10 seconds, 200 cycles

**Sterilization Process (AUTOCLAVE):** 135°C(275oF), 20 minutes

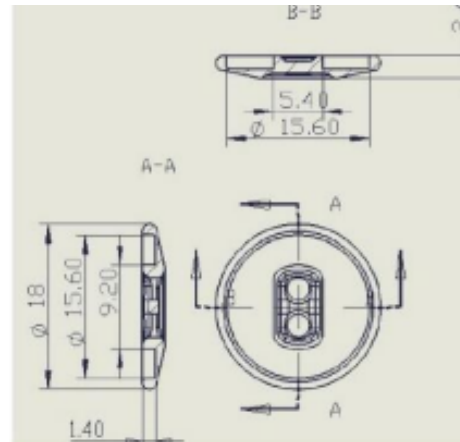
**Mechanical Resistance:** Up to 60 bars

**Installation Method:** 215°C at 12-15 seconds heat sealing

**Product Code:** GT-TXTLY-HS-xx

**For more information visit our product page on website**

## PPS BUTTON 18MM UHF



**RFID UHF 18mm PPS Button** with two holes is a button tag, easy to be mounted with traditional button-hanging machines, which can meet the most complex needs of the laundry tracking projects.

### MAIN FEATURES:

**Size:** 18mm / 0,708 in; Thickness: 2,44mm

**Material:** PPS + Epoxy

**Water Extraction Pressure:** up to 20 bars

**Chemical resistance:** Detergent, Softener, Bleach (Oxygen/ Chlorine), Alkali \*4

**Washing Methods:** Laundry, Dry cleaning or high-temperature sterilization

**Washing Cycles:** more than 250 wash cycles or three years

**Washing:** 90°C 15 min

**Drying:** 160°C 30 min

**Ironing:** 200°C 10 sec

**Tunnel Finisher:** 185°C 3 min

**Product Code:** GT-DSKY\_B18-M4QT

**For more information visit our product page on website**

**DISCLAIMER:**

The information in this document is subject to change without notice. Global Tag assumes no responsibility for any errors that may appear in this document. Application recommendations are guidelines only - actual results may vary and should be confirmed. This is a general-purpose product not designed or intended for any specific application. Global Tag Srl or its subsidiaries are not responsible for the performance or support of third party products and does not make any representations or warranties whatsoever regarding quality, reliability, functionality, or compatibility of these devices or products.

© Copyright 2025 - Global Tag Srl