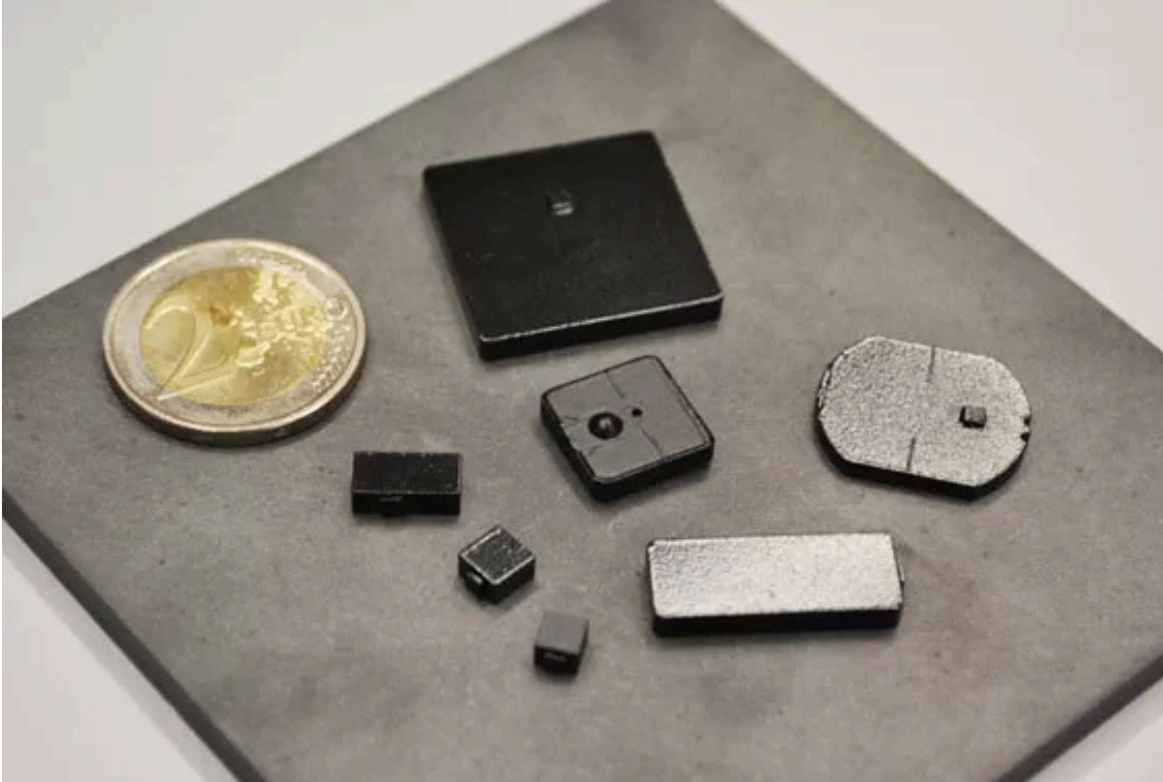


IN-METAL TINY FAMILY



The Global Tag **IN-METAL TINY FAMILY** is a range of UHF RFID tags designed for mounting on metal surfaces or embedding into metal objects.

Available in various sizes, from ultra-slim to larger formats, they offer flexibility for different applications and reading range requirements. With resistance to high temperatures up to 250°C, the Tiny series is ideal for industrial environments, manufacturing processes, and IoT-based asset tracking.

The tags are available with several options, including 3M adhesive for easy mounting, logo or variable printing, laser engraving, and EPC/User memory encoding. For embedded installation, a milling cut is required, followed by placement of the tag and sealing with radiolucent resin or plastic. They are available in both European (865–868 MHz) and American (902–928 MHz) UHF frequencies.

IN-METAL TINY ULTRA SLIM (10×1,8×1,8MM)



Global Tag **IN-METAL TINY-ULTRA SLIM** is small tag in-metal or onmetal UHF tag with high performance. Born for indoor and outdoor using where the need is to integrate transponder into metal objects. This RFID in-metal UHF tag, due to its thinness of less than 2mm, can be mounted in extremely small recesses, enabling the identification of very small objects.

MECHANICAL AND ENVIRONMENTAL SPECIFICATIONS

Dimensions: 1,8x1,8x10mm / 0,07x0,7x0,38 in

Weight: 0,20g



Mounting System: for in-metal solution need to make hole 14x8mm with 4mm depth.

Material: Ceramic

Color: Black color - Available optionally any other colors (with MOQ request)

Class Protection: IP68 (Totally protected against ingress of solid /
Protected against long period of immersion)

Storage Temperature: -40°C to +250°C / -40°F to +482°F

Operating Temperature: -25°C to +150°C / -13°F to +302°F

Weather Ability: Very Good, including UV resistance and sea water

Delivery format: Individual

Expected lifetime: Years in normal operating conditions

Chemical resistance:

No physical or performance changes in (tested up to, more hours can be):

- 200 hours Motor oil immersion
- 200 hours Salt water (salinity 10%) exposure
- 24 hours NH₃ Ammoniac (5% to 25%)

Values in the table are the best recommendations; resistance against environmental conditions depends on the combinations of all influencing factors, exposure duration and chemical concentrations. Thus, product's final suitability for certain environmental conditions is recommended to be tested. We are available for other information.

INSTALLATION MODE:

For in-metal solution need to make hole 14x8mm with 4mm depth.
Generally hole is filled with epoxy resin to protect and to block tag.

ORDER INFORMATION:

Standard product is made with Alien Higgs3 chip

PRODUCT CODE: GT-TNY_ULS-AH3

For printing options or for produce transponder with different color or with other type of customization... contact us for more information:

Global Tag Srl – Via Zanardelli 13/A, 25062 Concesio (BS) - Italy

P +39 030 2005259

S [global-tag](http://global-tag.com)

W www.global-tag.com

M sales@global-tag.com

IN-METAL TINY-XXS 3,8X3,8X3MM



Global Tag **IN-METAL TINY-XXS** is the smallest in-metal or on-metal UHF tag, with high performance, available on market place. Designed for indoor and outdoor environments, it is the best solution if you need to integrate transponder into small metal objects.

This special tag has been designed for small objects tracking and maintenance in many different kind of application, in particular for manufacturer-factories.

The new model for high temperatures, that withstands up to 250°C is-now-available.

MECHANICAL AND ENVIRONMENTAL SPECIFICATIONS:

Dimensions: 3,8x3,8x3mm / 0,149x0,149x0,118 in

Weight: 0,25 g



Mounting System: for in-metal solution need to make hole 6mm diameter with 4mm depth.

Material: Ceramics

Color: Black color

Class Protection: IP68 (Totally protected against ingress of solid / Protected against long period of immersion)

Storage Temperature: -40°C to +250°C / -40°F to +320°F

Operating Temperature: -25°C to +150°C / -13°F to +302°F

Weather Ability: Very Good, including UV resistance and sea water

Delivery format: Individual

Expected lifetime: Years in normal operating conditions

Chemical resistance:

No physical or performance changes in (tested up to, more hours can be):

- 200 hours Motor oil immersion
- 200 hours Salt water (salinity 10%) exposure
- 24 hours NH3 Ammoniac (5% to 25%)

INSTALLATION MODE:

For in-metal solution it is necessary to make a 6mm diameter with 4mm depth mill in the metal. Generally the hole is filled with epoxy resin to protect and to make the tag more stable.

ORDER INFORMATION:

Standard product is made with Alien Higgs3 chip

PRODUCT CODE: GT-TNY_XXS_HT-AH3 (High Temperature version)

For printing options or for produce transponder with different color or with other type of customization... contact us for more information:

Global Tag Srl – Via Zanardelli 13/A, 25062 Concesio (BS) - Italy

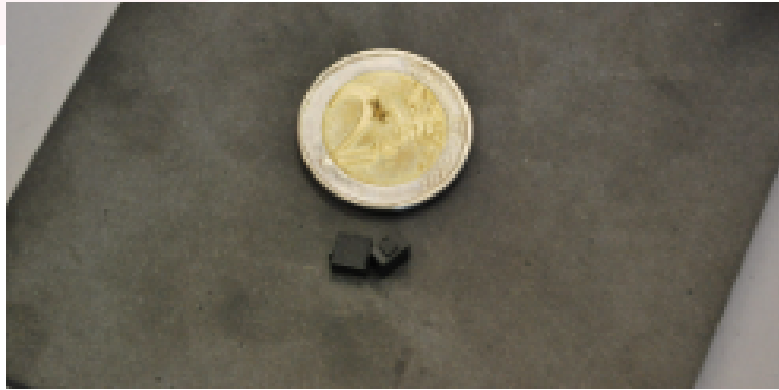
P +39 030 2005259

S global-tag

W www.global-tag.com

M info@global-tag.com

IN-METAL TINY-XS 4,8X4,8X3MM



Global Tag **IN-METAL TINY-XS** is a small in-metal or on-metal UHF tag, with high performance. It has been designed for indoor and outdoor environments and it is the best solution if you need to integrate transponder into a small metal objects as surgical instruments, mechanical metal parts, metal pipes, etc.. It can withstand extreme temperatures up to 250°C.

MECHANICAL AND ENVIRONMENTAL SPECIFICATIONS:

Dimensions: 4,8x4,8x3mm / 0,188x0,188x0,118 in

Weight: 0,4 g



Mounting System: for in-metal solution, it is necessary to make a 6,8mm diameter / 4mm depth mill in the metal object.

Material: Ceramic

Color: Black color - Available optionally any other colors (with MOQ request)

Storage Temperature: -40°C to +250°C / -40°F to +482°F

Operating Temperature: -25°C to +150°C / -13°F to +302°F

Weather Ability: Very Good, including UV resistance and sea water

Delivery format: Individual

Expected lifetime: Years in normal operating conditions

Chemical resistance:

No physical or performance changes in (tested up to, more hours can be):

- 200 hours Motor oil immersion
- 200 hours Salt water (salinity 10%) exposure
- 24 hours NH3 Ammoniac (5% to 25%)

INSTALLATION MODE:

For in-metal solution it is necessary to make a 6mm diameter with 4mm depth mill in the metal. Generally the hole is filled with epoxy resin to protect and to make the tag more stable.

ORDER INFORMATION:

Standard product is made with Alien Higgs3 chip

PRODUCT CODE: GT-TNY_XS_HT-AH3 (High Temperature version)

For printing options or for produce transponder with different color or with other type of customization... contact us for more information:

Global Tag Srl – Via Zanardelli 13/A, 25062 Concesio (BS) - Italy

P +39 030 2005259

S global-tag

W www.global-tag.com

M info@global-tag.com

IN-METAL TINY-S (10X5X3MM)

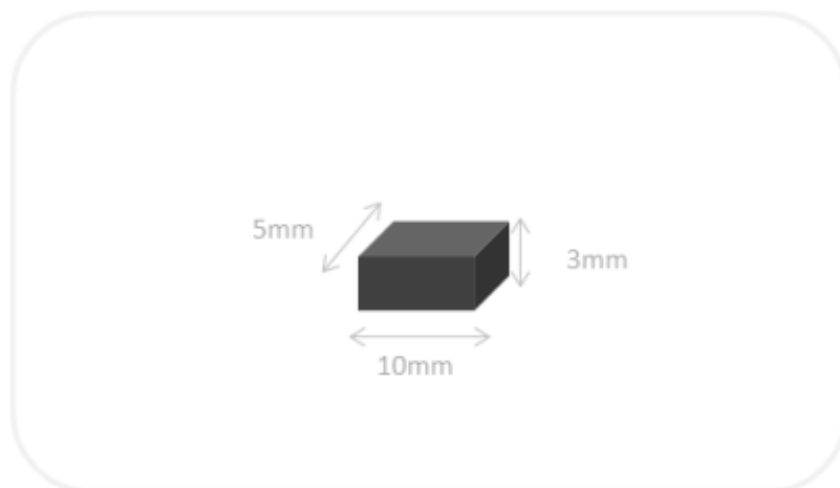


Global Tag **IN-METAL TINY-S** is small tag which can be mounted on metal surfaced and embedded in metal objects. Born for indoor and outdoor uses, it can withstand high temperatures, up to 250°C. The size (10x5mm) makes it an excellent compromise between size and reading distance (up to 70cm with 2W fixed reader with 27x27cm external antenna)

MECHANICAL AND ENVIRONMENTAL SPECIFICATIONS:

Dimensions: 10x5x3mm / 0,393x0,190x0,118 in

Weight: 0,90g



Mounting System: for in-metal solution need to make hole 14x8mm with 4mm depth.

Material: Ceramic

Color: Black color - Available optionally any other colors (with MOQ request)

Class Protection: IP68 (Totally protected against ingress of solid / Protected against long period of immersion)

Storage Temperature: -40°C to +250°C / --40°F to +482°F

Operating Temperature: -25°C to +150°C / -13°F to +302°F

Weather Ability: Very Good, including UV resistance and sea water

Delivery format: Individual

Expected lifetime: Years in normal operating conditions

Chemical resistance:

No physical or performance changes in (tested up to, more hours can be):

- 200 hours Motor oil immersion
- 200 hours Salt water (salinity 10%) exposure
- 24 hours NH3 Ammoniac (5% to 25%)

INSTALLATION MODE:

For in-metal solution it is necessary to make a 6mm diameter with 4mm depth mill in the metal. Generally the hole is filled with epoxy resin to protect and to make the tag more stable.

ORDER INFORMATION:

Standard product is made with Alien Higgs3 chip

PRODUCT CODE: GT-TNY_S-AH3

For printing options or for produce transponder with different color or with other type of customization... contact us for more information:

Global Tag Srl – Via Zanardelli 13/A, 25062 Concesio (BS) - Italy

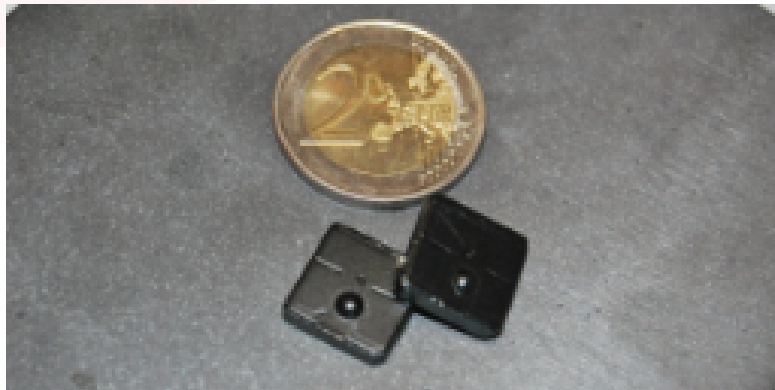
P +39 030 2005259

S [global-tag](http://global-tag.com)

W www.global-tag.com

M info@global-tag.com

IN-METAL TINY-M (13X13X3MM)

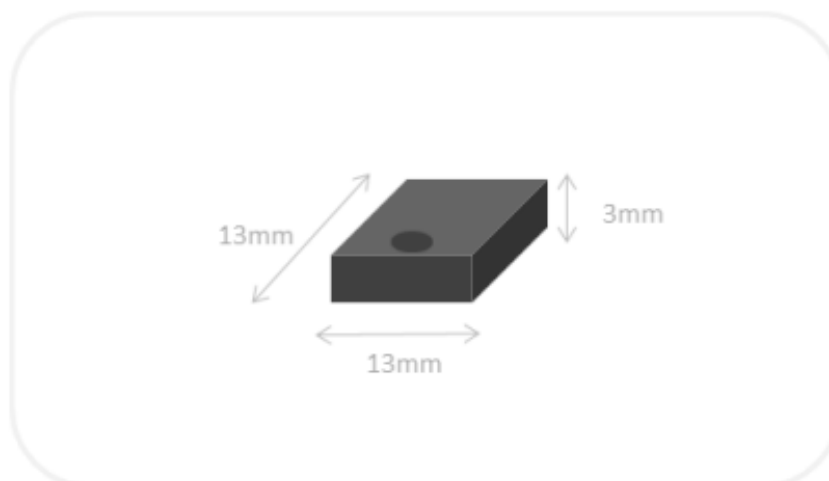


Global Tag **IN-METAL TINY-M** is small/medium tag 13x13mm in metal or on-metal UHF tag which guarantees very high performance. Born for indoor and outdoor uses, where the need is to mount a transponder on a metal surface or integrate it into metal objects. The Tiny-M is the intermediate size of the TINY series, and is a great compromise between size and reading distance.

MECHANICAL AND ENVIRONMENTAL SPECIFICATIONS:

Dimensions: 13x13x3mm / 0,512x0,512x0,118 in

Weight: 2,3g



Mounting System: for in-metal solution need to make hole 18x18mm with 4mm depth.

Material: Ceramic

Color: Black color - Available optionally any other colors (with MOQ request)

Class Protection: IP68 (Totally protected against ingress of solid / Protected against long period of immersion)

Storage Temperature: -40°C to +250°C / --40°F to +482°F

Operating Temperature: -25°C to +150°C / -13°F to +302°F

Weather Ability: Very Good, including UV resistance and sea water

Delivery format: Individual

Expected lifetime: Years in normal operating conditions

Chemical resistance:

No physical or performance changes in (tested up to, more hours can be):

- 200 hours Motor oil immersion
- 200 hours Salt water (salinity 10%) exposure
- 24 hours NH3 Ammoniac (5% to 25%)

INSTALLATION MODE:

For in-metal solution it is necessary to make a 6mm diameter with 4mm depth mill in the metal. Generally the hole is filled with epoxy resin to protect and to make the tag more stable.

ORDER INFORMATION:

Standard product is made with Alien Higgs3 chip

PRODUCT CODE: GT-TNY_M-AH3

For printing options or for produce transponder with different color or with other type of customization... contact us for more information:

Global Tag Srl – Via Zanardelli 13/A, 25062 Concesio (BS) - Italy

P +39 030 2005259

S global-tag

W www.global-tag.com

M info@global-tag.com